

AGM

Holding the World's Insulation in Place

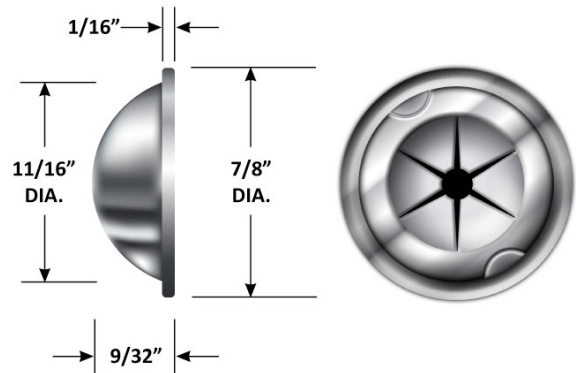
DOME CAPS

Dome caps are designed to be used where appearance and safety are factors when installing insulation, or fabricating blankets or pads. The caps are used to cover the nail point on weld pins, hangers, lacing anchors & quilt pins.

Specifications

Part No.	Dome Finish	Weight/M
ADC-**	Plain Aluminum	4
BDC-**	Black Aluminum	4
SDC-**	Stainless Steel	6
WDC-**	White Aluminum	4

**Specify gauge when ordering: 14, 12, or 10 ga
Other colors available as special order



Material

- All caps have a STAINLESS STEEL insert

Application

- Domed caps are designed to be used where appearance and safety are major concerns
- For best results, pins should be 1/4" longer than the insulation thickness
- Secure insulation with a self-locking washer, then install the dome cap to cover the nail point

AGM Industries, Inc., 16 Jonathan Drive, Brockton, MA 02301

Phone: (508) 587-3900 | Fax: (508) 587-3283 | sales.agm@comcast.net | www.agmind.com