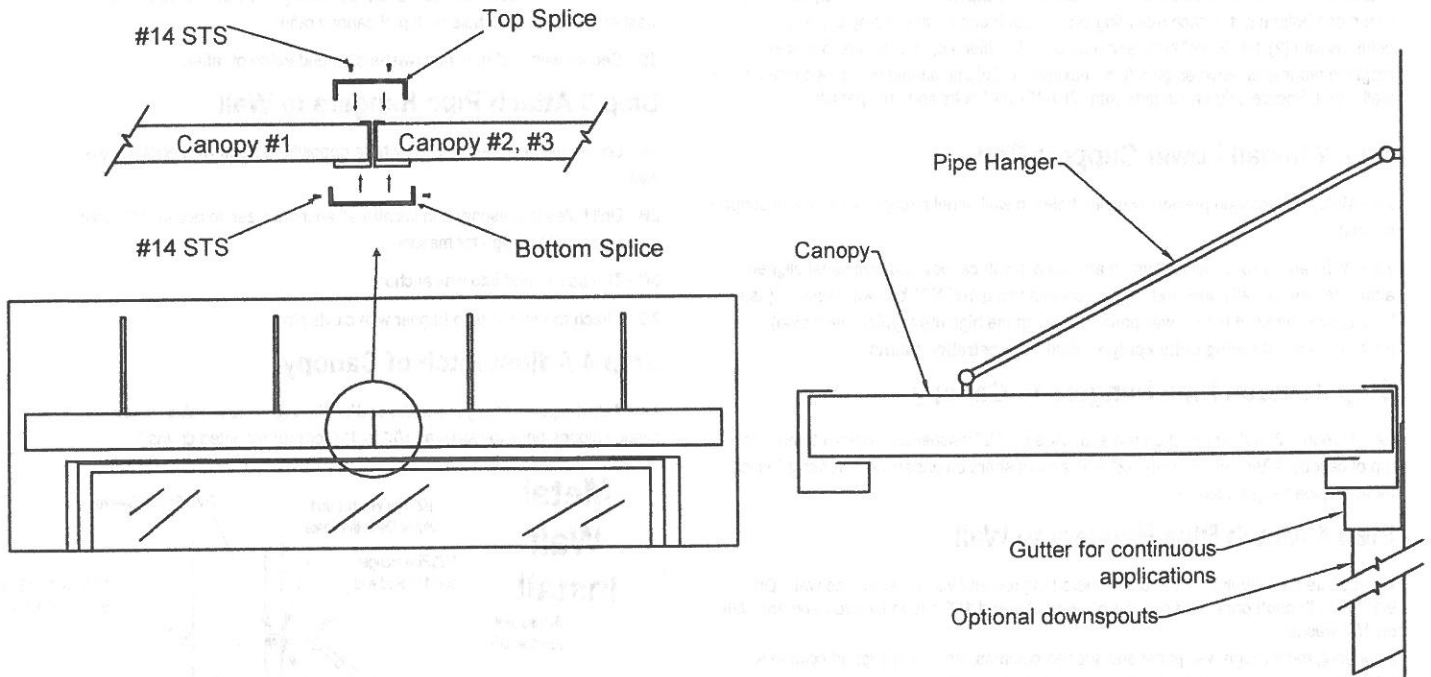


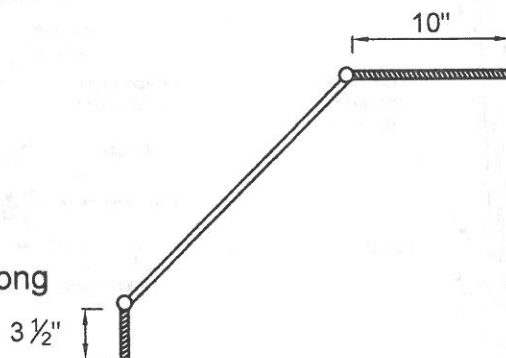
Multiple Canopy Installation



Canopy Installation Hardware

Metal Wall Application

- (One kit per hanger)
- (1) 2pc Telescoping Channel
- (2) 12GA Mounting Clips for Telescoping Channels
- (8) $\frac{1}{4}$ " x $\frac{3}{4}$ " Bolts
- (8) $\frac{1}{4}$ " Nuts
- (1) $\frac{1}{2}$ " x 10" Rod End
- (1) $\frac{1}{2}$ " x 3 $\frac{1}{2}$ " Rod End
- (1) $\frac{1}{2}$ " x 7" Hex Bolt
- (5) $\frac{1}{2}$ " Nuts
- (6) $\frac{1}{2}$ " Washers
- (2) PVC Spacers x 1 $\frac{1}{4}$ " long
- (1) Pipe Hanger



Masonry Wall Application

- (One kit per hanger)
- (1) Pipe Hanger
- (2) $\frac{1}{2}$ " x 3 $\frac{1}{2}$ " Rod Ends
- (4) $\frac{1}{2}$ " Nuts
- (4) $\frac{1}{2}$ " Washers
- (1) $\frac{1}{2}$ " x 3" Hex Bolt

