

Figure 1

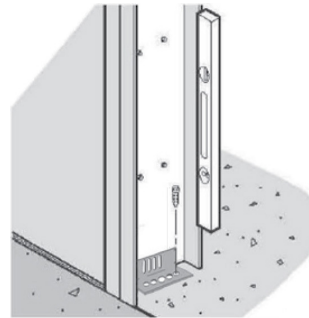


Figure 2

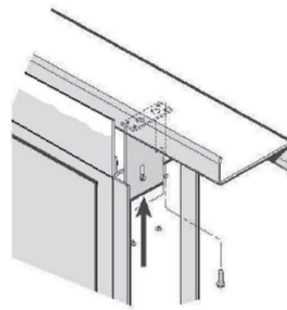


Figure 3

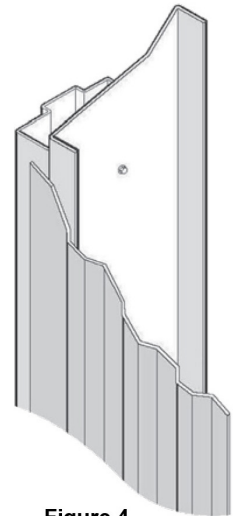
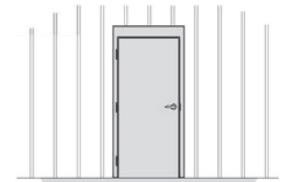


Figure 4



Rough Opening
40 1/4" for 3070 Door
52 1/4" for 4070 Door
76 1/4" for 6070 Door

1. After uncrating, position the door under the girt where desired. The exterior of the frame and subframe should be directly under the outside face of the girt. (Figure 1)
2. Plumb the door unit. Be sure concrete under the threshold is level – shim a side if necessary. Do not separate threshold from the frame as it might eliminate the proper spacing between the sweep and threshold for a good seal.
3. When the door is plumb, bolt the door to the floor with the base clips and the anchor bolts provided. (Figure 2)
4. Back out the screws holding top jamb clips, and slide clips straight up to the girt. Secure the door to the girt through the girt clips with the self-drilling screws provided. (Figure 3)
5. Check gaps on top and sides of the door. Make sure the door swings properly and latches closed. (Some hinge shimming may be required).
6. Screw down threshold with the (4) sleeve anchors provided. Caulk or grout if needed.
7. Adjust any hardware to ensure locks are latching properly. If provided, adjust closer closing and latching speeds.
8. Complete wall panel installation. Attach drip cap at the header and J-Trim on the jambs. Cut and place wall panel so edge overlaps the frame/subframe connection and dies inside the J-Trim. (Figure 4) Caulk around door.
9. See other side of this sheet for common adjustments needed or minor troubleshooting issues.

At EXPI-DOOR®, our commitment to our clients goes beyond the sale. We strive for excellence in customer service in all aspects of our business. To ensure this is done to the best of our ability, we have compiled a quick summary of typical installation or troubleshooting related issues or adjustments the installer should be aware of.

These issues are inherent to all hollow metal exterior and interior doors and the amount of adjustment needed will vary from door to door and somewhat depend upon other building factors.

A complete troubleshooting guide published by the Steel Door Institute (SDI) is available on our website at www.expidoor.com. If after troubleshooting you are not satisfied with your results, or the problem persists, please contact our Service Representatives for further assistance. If we cannot resolve with a phone call/additional information, we will send a representative to the job site for a thorough evaluation.

STANDARD METAL BUILDING INSTALLATION CHECKLIST

- Is the concrete level at the point where the door is installed? Did you have to shim one side?
- Does the frame opening width measure 36" (for 3070) at the top, middle, and bottom of the frame opening? (48" for a 4070, and 72" for a 6070).
- Does the door itself measure 35 ¾" across (tolerance of 1/16")? (4070 would be 47 ¾")
- Is the door straight or does it have a small bow of any sort along either vertical edge?
- What does each reveal (gap) measure?
 - Gap between frame head & door leaf (should measure approx. 1/8" - 3/16")
 - Gap between hinge jamb & door leaf (should measure approx. 1/8" - 3/16")
 - Gap between lock jamb & door leaf (should measure approx. 1/8" - 3/16")
 - Gap between top of threshold & bottom of door leaf (should be approx. ¼")
- Is each vertical frame member plumb & square?
- Is the frame head & door leaf plumb & square?
- Is the entire door system plumb & square in relation to the building/girt line?
- Are there any building or structural issues that are interfering with the door installation or operation?
- Are the adjustable top anchors installed to the girt with a minimum of 4 fasteners? Are there any issues at this connection?
- Has the closer been adjusted for speed and back-check appropriately?
- Are all hinge screws properly tightened? (They sometimes loosen during shipment)

What problem still persists? _____

