



PROJECT NUMBER:  
 PROJECT NAME: *ELECTROIMPACT R1*  
 PROJECT LOCATION:  
 CUSTOMER: *T&E INTERNATIONAL*

# APPROVAL DRAWINGS

*THESE DRAWINGS ARE FOR CONFIRMATION USE ONLY. PRODUCTION HAS BEEN SCHEDULED. YOUR PRICE IS PROTECTED BASED ON THE MUST SHIP DATE LISTED ON THE ORDER CONTRACT. PLEASE RETURN THE CONFIRMED DRAWINGS NO LATER THAN \_\_\_\_\_ SO WE CAN MAINTAIN CURRENT COMMITTED DELIVERY SCHEDULE. FAILURE TO RETURN THE DRAWINGS BY THE DATE SHOW ABOVE MY VOID SCHEDULE COMMITMENTS AND POSSIBLY RESULT IN AN INCREASE IN PRICE BASED ON THE MUST SHIP BY DATE.*


CUSTOMERS  
 SIGNATURE: \_\_\_\_\_

DATE: \_\_\_\_\_

ISSUE:	DWN:	CHK:	ENG:	MFG:	DATE:

PROJECT NAME:  
*ELECTROIMPACT R1*

CUSTOMER:  
*T&E INTERNATIONAL*



PACIFIC INSULATION PRODUCTS

561 STRANDER BLVD  
 TUKWILA, WA 98188

PHONE: 877-300-3794  
 FAX: 425-905-7272

ENDWALL PANEL SCHEDULE @ LINE A							
ID:	QTY:	LENGTH (IN)	TOTAL LENGTH	TOTAL AREA SQFT	THICKNESS	JOINT TYP:	TABS:
1	28	258.00	7224.00	2107.00	2"	BUTT	SIDES, TOP
2	32	234.00	7488.00	2184.00	2"	"	SIDES, TOP, BOTTOM
3	4	138.00	552.00	161.00	2"	"	SIDES, TOP
4	4	144.00	576.00	168.00	2"	"	SIDES, BOTTOM
5	4	150.00	600.00	175.00	2"	"	SIDES, BOTTOM
6	4	156.00	624.00	182.00	2"	"	SIDES, BOTTOM
7	4	162.00	648.00	189.00	2"	"	SIDES, BOTTOM
8	4	168.00	672.00	196.00	2"	"	SIDES, BOTTOM
9	4	174.00	696.00	203.00	2"	"	SIDES, BOTTOM
10	4	180.00	720.00	210.00	2"	"	SIDES, BOTTOM
11	4	186.00	744.00	217.00	2"	"	SIDES, BOTTOM
TOTAL	96		20544.00	5992.00			

OFFICE PANEL SCHEDULE							
ID:	QTY:	LENGTH (IN)	TOTAL LENGTH	TOTAL AREA SQFT	THICKNESS	JOINT TYP:	TABS:
1	16	189.25	3028.00	883.17	2"	BUTT	SIDES
2	16	184.63	2954.00	861.58	2"	"	SIDES, ??
3	4	198.00	792.00	231.00	2"	"	SIDES, BOTTOM
4	4	204.00	816.00	238.00	2"	"	SIDES
5	2	210.00	420.00	122.50	2"	"	SIDES
TOTAL	42		8010.00	2336.25			

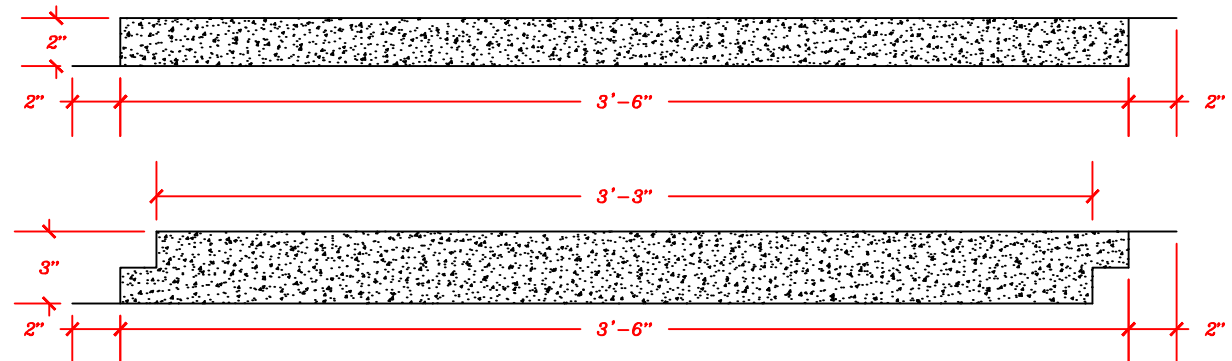
ENDWALL PANEL SCHEDULE @ LINE L							
ID:	QTY:	LENGTH (IN)	TOTAL LENGTH	TOTAL AREA SQFT	THICKNESS	JOINT TYP:	TABS:
1	28	258.00	7224.00	2107.00	2"	BUTT	SIDES, TOP
2	32	234.00	7488.00	2184.00	2"	"	SIDES, TOP, BOTTOM
3	4	138.00	552.00	161.00	2"	"	SIDES, TOP
4	4	144.00	576.00	168.00	2"	"	SIDES, BOTTOM
5	4	150.00	600.00	175.00	2"	"	SIDES, BOTTOM
6	4	156.00	624.00	182.00	2"	"	SIDES, BOTTOM
7	4	162.00	648.00	189.00	2"	"	SIDES, BOTTOM
8	4	168.00	672.00	196.00	2"	"	SIDES, BOTTOM
9	4	174.00	696.00	203.00	2"	"	SIDES, BOTTOM
10	4	180.00	720.00	210.00	2"	"	SIDES, BOTTOM
11	4	186.00	744.00	217.00	2"	"	SIDES, BOTTOM
TOTAL	96		20544.00	5992.00			

SIDEWALL PANEL SCHEDULE @ LINE 1							
ID:	QTY:	LENGTH (IN)	TOTAL LENGTH	TOTAL AREA SQFT	THICKNESS	JOINT TYP:	TABS:
1	46	258.00	11868.00	3461.50	2"	BUTT	SIDES, TOP
2	72	234.00	16848.00	4914.00	2"	"	SIDES, TOP, BOTTOM
3	72	137.00	9864.00	2877.00	2"	"	SIDES, BOTTOM
4	26	54.00	1404.00	409.50	2"	"	SIDES, BOTTOM
TOTAL	216		39984.00	11662.00			

SIDEWALL PANEL SCHEDULE @ LINE 7							
ID:	QTY:	LENGTH (IN)	TOTAL LENGTH	TOTAL AREA SQFT	THICKNESS	JOINT TYP:	TABS:
1	67	258.00	17286.00	5041.75	2"	BUTT	SIDES, TOP
2	72	234.00	16848.00	4914.00	2"	"	SIDES, TOP, BOTTOM
3	72	137.00	9864.00	2877.00	2"	"	SIDES, BOTTOM
4	5	162.00	810.00	236.25	2"	"	SIDES, TOP
TOTAL	216		44808.00	13069.00			

ROOF PANEL SCHEDULE							
ID:	QTY:	LENGTH (IN)	TOTAL LENGTH	TOTAL AREA SQFT	THICKNESS	JOINT TYP:	TABS:
1	144	227.75	32796.00	9565.50	3"	SHIP-LAP	?
2	144	240.00	34560.00	10080.00	3"	"	SIDES, TOP, BOTTOM
3	144	196.00	28224.00	8232.00	3"	"	SIDES, BOTTOM
TOTAL	432		95580.00	27877.50			

NOTES:  
TOTAL NUMBER OF PANELS = 1098  
TOTAL LINEAL FEET = 19122  
TOTAL SQUARE FEET OF 2" PANEL = 36715  
TOTAL SQUARE FEET OF 3" PANEL = 27877.5  
TOTAL SQUARE FEET FOR JOB (2" & 3") = 64592.5



ISSUE:	DWN:	CHK:	ENG:	MFG:	DATE:

PROJECT NAME:  
**ELECTROIMPACT R1**

CUSTOMER:  
**T&E INTERNATIONAL**



PACIFIC INSULATION PRODUCTS

561 STRANDER BLVD  
TUKWILA, WA 98188

PHONE: 877-300-3794  
FAX: 425-905-7272

**GENERAL NOTES:**

**GENERAL DESCRIPTION OF R-SEAL PANEL**

RIGID CLOSED CELL POLYURETHANE FOAM CORE AIR/VAPOR BARRIER PANEL

**APPLICATION:**

**1.1 R-SEAL PANEL APPLICATION:**

- PRE-MANUFACTURED STEEL       ROOF DECK
- CONCRETE TILT-UP                       COLD STORAGE
- RETROFIT

**1.2 R-SEAL PANEL THICKNESS TO BE:**

- WALLS 2"                                       ROOF 3"
- OTHER \_\_\_\_\_                               OTHER \_\_\_\_\_

**1.3 R-SEAL PANEL WITH EDGE PROFILE OF:**

- WALLS:**
- BUTT JOINT                                       SHIPLAP
  - CUSTOM \_\_\_\_\_
- ROOF:**
- BUTT JOINT                                       SHIPLAP
  - CUSTOM \_\_\_\_\_

**MATERIALS:**

**2.1 R-SEAL PANEL TO BE SUPPLIED WITH:**

- TAPE TAB SYSTEM                               BUTYL SEALANT
- TRANSITIONAL SUB-FRAMING                       FASTENERS
- TRIM PACKAGE                                       CUSTOM: \_\_\_\_\_

**2.2 R-SEAL PANEL FACED WITH:**

- POLYPROPYLENE/SCRIM (HD)                       POLYPROPYLENE/SCRIM/KRAFT (LD)

**2.3 R-SEAL PANEL FACING WITH FINISHED COLOR OF:**

- WHITE     BLACK
- FOIL     CUSTOM: \_\_\_\_\_

**2.4 R-SEAL PANELS TABS SHALL BE FURNISHED WITH:**

- DOUBLE COATED (PSA) TAPE                       TRANSFER FILM (PSA)
- 40(OZ/IN) PEEL ADHESION                              65(OZ/IN) PEEL ADHESION
- BUTYL SEAL TABS                                       CUSTOM \_\_\_\_\_

**PERFORMANCE:**

3.1 R-SEAL PANEL SHALL HAVE A FLAME SPREAD MAXIMUM OF 25 AND A SMOKE DEVELOPMENT MAXIMUM OF 450 AS TESTED IN ACCORDANCE WITH ASTM E 84.

3.2 R-SEAL PANEL SHALL COMPLY WITH CHAPTER 26 OF THE INTERNATIONAL BUILDING CODE. SEE PATH TO COMPLIANCE FLOW CHART FOR DETAILS OF CODE SECTIONS. R-SEAL PASSES UL 1715 AND NFPA 286 FULL SCALE FIRE TEST.

3.3 R-SEAL PANEL FOAM SHALL HAVE A DENSITY (IN-PLACE) OF 2.1-2.5 POUNDS PER CUBIC FOOT WHEN TESTED IN ACCORDANCE TO ASTM D 623.

3.4 AIR BARRIER MATERIALS AIR PERM NOT TO EXCEED 0.004 CUBIC FEET PER MINUTE PER SQUARE FOOT UNDER A PRESSURE DIFFERENTIAL OF 0.3 W.G (1.57spf or 75Pa) WHEN TESTED IN ACCORDANCE WITH ASTM E 2178.

3.5 R-SEAL PANEL MUST CONTRIBUTE TO RECYCLED CONTENT CREDIT MRc4.1 MRc4.2. RIGID INSULATION SHALL CONTRIBUTE TO 10% POST CONSUMER PRODUCT.

3.6 R-SEAL PANEL SHALL HAVE A MINIMUM COMPRESSIVE STRENGTH OF 25psi (PERPENDICULAR) AND 23psi (PARALLEL) WHEN TESTED IN ACCORDANCE TO ASTM D 1621

3.7 R-SEAL PANEL SHALL HAVE A MINIMUM COMPRESSIVE MODULUS OF 548psi (PERPENDICULAR) AND 582psi (PARALLEL) WHEN TESTED IN ACCORDANCE TO ASTM D 1621

3.8 R-SEAL PANEL SHALL HAVE A MAXIMUM WATER VAPOR TRANSMITTANCE OF 0.02 PERM WHEN TESTED IN ACCORDANCE TO ASTM E 96 PROCEDURE A.

3.9 R-SEAL PANEL SHALL HAVE A MAXIMUM WATER ABSORPTION OF 1.8 PERCENT WHEN TESTED IN ACCORDANCE TO ASTM D 2854

3.10 R-SEAL PANEL SHALL HAVE A MINIMUM SELF-IGNITION TEMPERATURE OF 807 DEGREES FAHRENHEIT AND A FLASH-IGNITION TEMPERATURE OF 833 DEGREES FAHRENHEIT WHEN TESTED IN ACCORDANCE TO ASTM D 1929-91

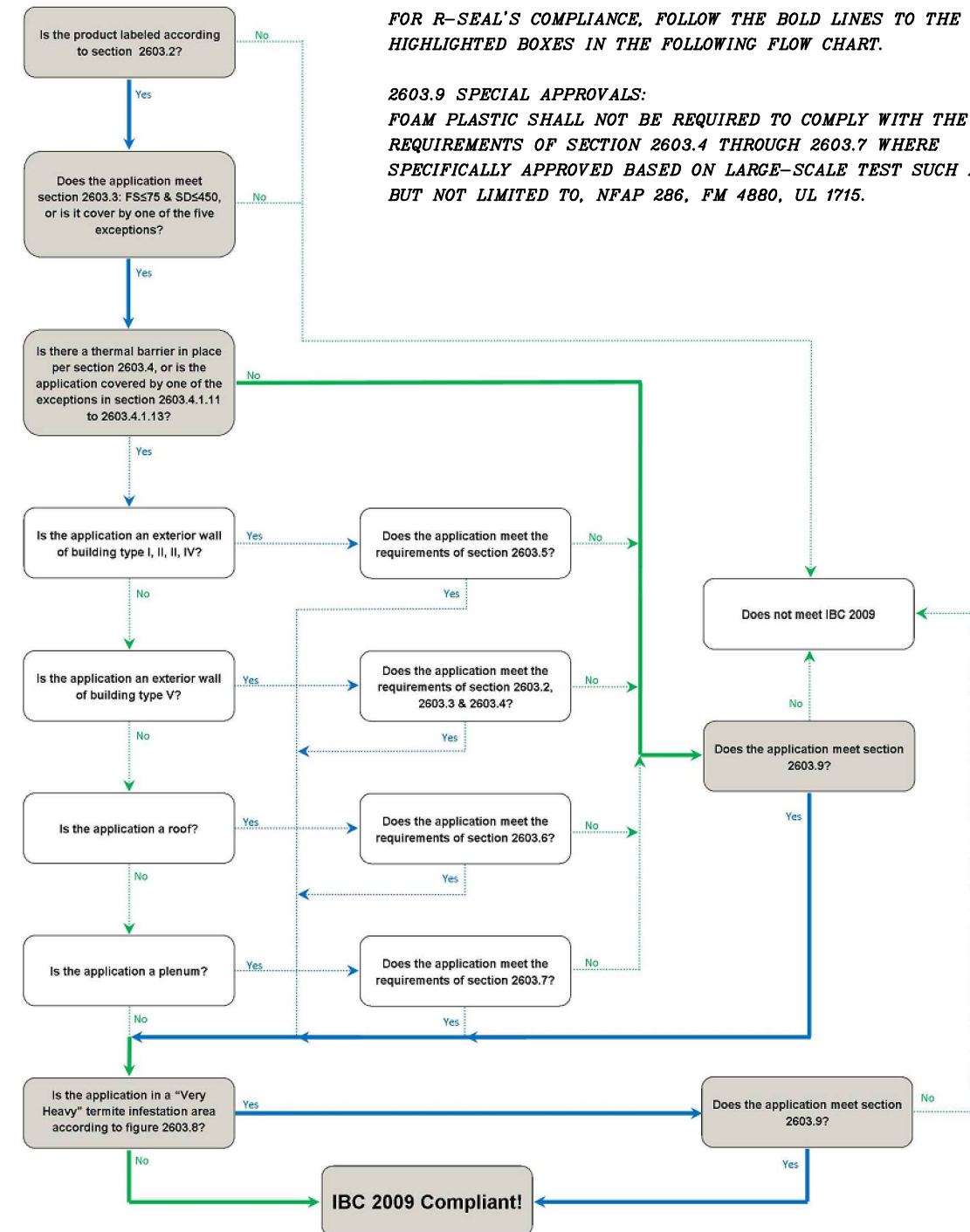
3.11 R-SEAL PANEL (CORE) SHALL HAVE THE FOLLOWING DIMENSIONAL STABILITY( % CHANGE @ 28 DAYS).

- a. 100°F @ 100% RH (RELATIVE HUMIDITY) -3.6
- b. 158°F @ 100% RH                                      2.3
- c. 158°F    -1.1
- d. 200°F    -2.5
- e. -20°F    -1.8

**ACCESSORIES:**

4.1

**R-SEAL'S COMPLIANCE WITH IBC 2009**



FOR R-SEAL'S COMPLIANCE, FOLLOW THE BOLD LINES TO THE HIGHLIGHTED BOXES IN THE FOLLOWING FLOW CHART.

2603.9 SPECIAL APPROVALS:  
FOAM PLASTIC SHALL NOT BE REQUIRED TO COMPLY WITH THE REQUIREMENTS OF SECTION 2603.4 THROUGH 2603.7 WHERE SPECIFICALLY APPROVED BASED ON LARGE-SCALE TEST SUCH AS, BUT NOT LIMITED TO, NFAP 286, FM 4880, UL 1715.

ISSUE:	DWN:	CHK:	ENG:	MFG:	DATE:

PROJECT NAME:

**ELECTROIMPACT R1**

CUSTOMER:

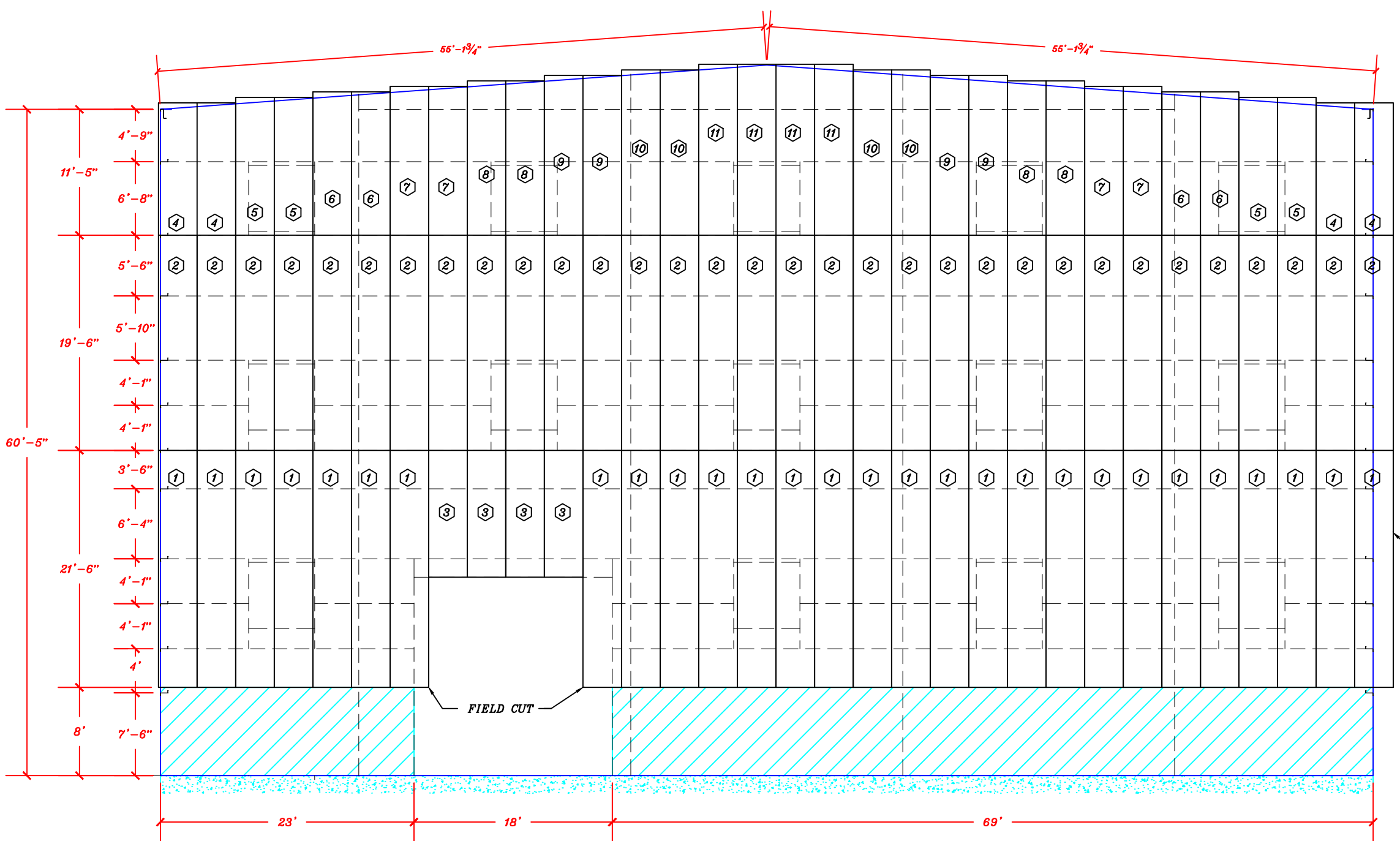
**T&E INTERNATIONAL**



**PACIFIC INSULATION PRODUCTS**

561 STRANDER BLVD  
TUKWILA, WA 98188

PHONE: 877-300-3794  
FAX: 425-905-7272



ENDWALL PANEL SCHEDULE @ LINE A					
ID:	QTY:	LENGTH	THICKNESS	JOINT TYP:	TABS:
1	28	21'-6"	2"	BUTT	SIDES, TOP
2	32	19'-6"	2"	"	SIDES, TOP, BOTTOM
3	4	11'-6"	2"	"	SIDES, TOP
4	4	12'-0"	2"	"	SIDES, BOTTOM
5	4	12'-6"	2"	"	SIDES, BOTTOM
6	4	13'-0"	2"	"	SIDES, BOTTOM
7	4	13'-6"	2"	"	SIDES, BOTTOM
8	4	14'-0"	2"	"	SIDES, BOTTOM
9	4	14'-6"	2"	"	SIDES, BOTTOM
10	4	15'-0"	2"	"	SIDES, BOTTOM
11	4	15'-6"	2"	"	SIDES, BOTTOM

ENDWALL ELEVATION AT LINE A

ISSUE:	DWN:	CHK:	ENG:	MFG:	DATE:

PROJECT NAME:  
**ELECTROIMPACT R1**

CUSTOMER:  
**T&E INTERNATIONAL**

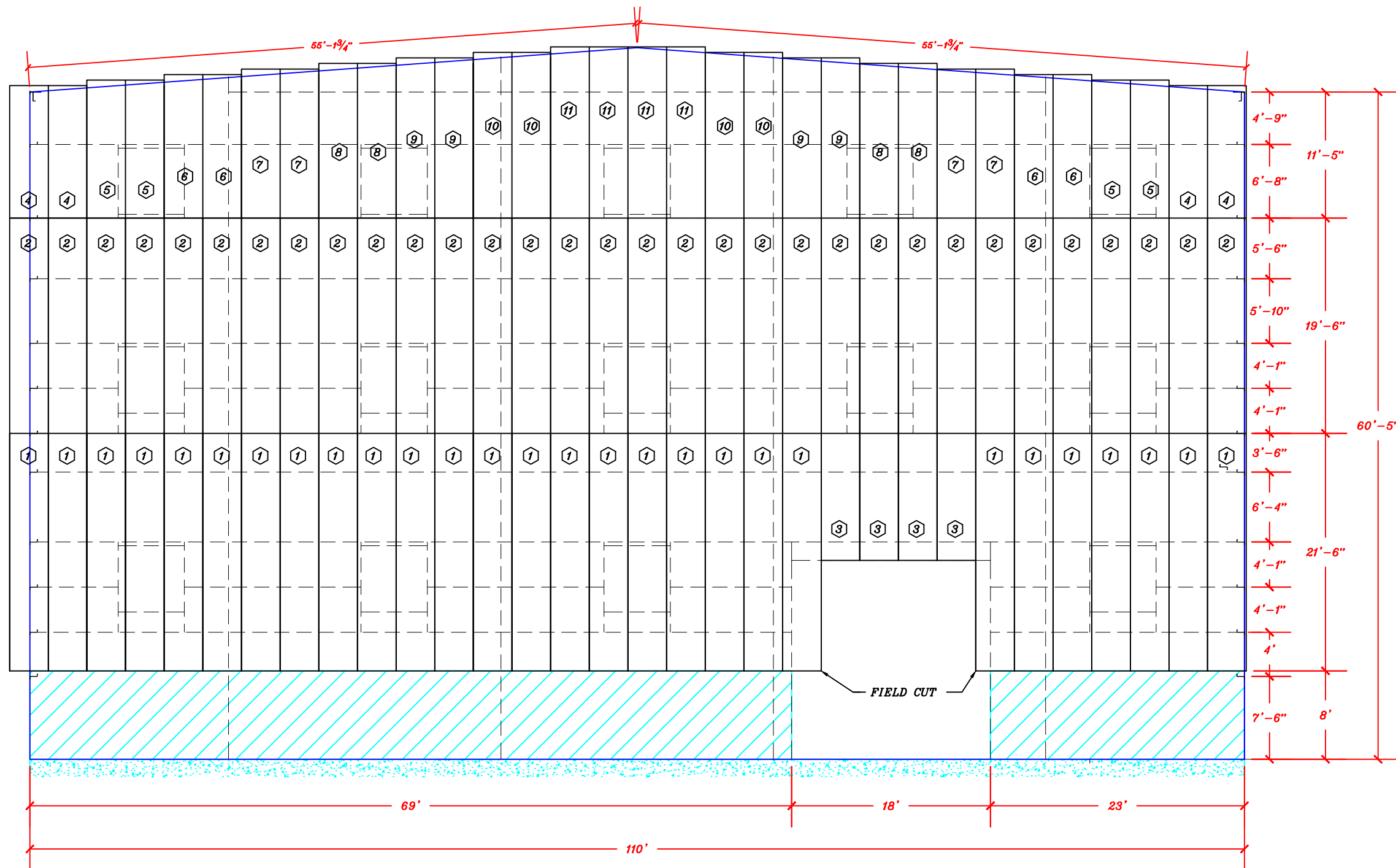


**PACIFIC INSULATION PRODUCTS**

561 STRANDER BLVD  
 TUKWILA, WA 98188

PHONE: 877-300-3794  
 FAX: 425-905-7272

ENDWALL PANEL SCHEDULE @ LINE L					
ID:	QTY:	LENGTH	THICKNESS	JOINT TYP:	TABS:
1	28	21'-6"	2"	BUTT	SIDES, TOP
2	32	19'-6"	2"	"	SIDES, TOP, BOTTOM
3	4	11'-6"	2"	"	SIDES, TOP
4	4	12'-0"	2"	"	SIDES, BOTTOM
5	4	12'-6"	2"	"	SIDES, BOTTOM
6	4	13'-0"	2"	"	SIDES, BOTTOM
7	4	13'-6"	2"	"	SIDES, BOTTOM
8	4	14'-0"	2"	"	SIDES, BOTTOM
9	4	14'-6"	2"	"	SIDES, BOTTOM
10	4	15'-0"	2"	"	SIDES, BOTTOM
11	4	15'-6"	2"	"	SIDES, BOTTOM



ENDWALL ELEVATION AT LINE L

ISSUE:	DWN:	CHK:	ENG:	MFG:	DATE:

PROJECT NAME:  
**ELECTROIMPACT R1**

CUSTOMER:  
**T&E INTERNATIONAL**

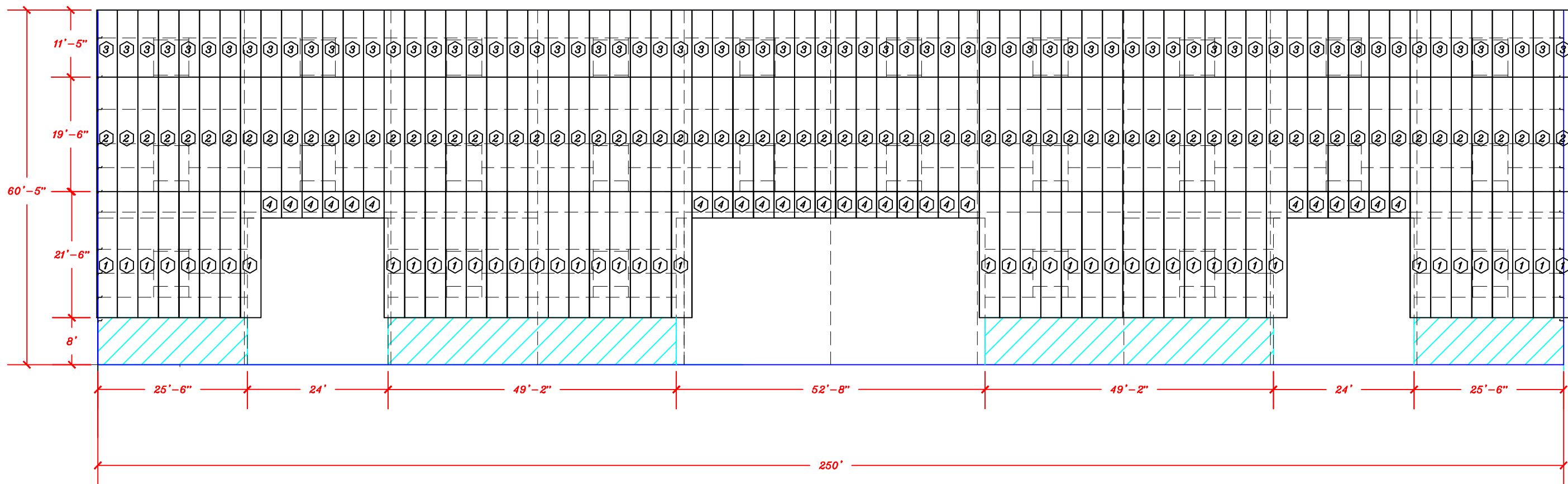


**PACIFIC INSULATION PRODUCTS**

561 STRANDER BLVD  
 TUKWILA, WA 98188

PHONE: 877-300-3794  
 FAX: 425-905-7272

SIDEWALL PANEL SCHEDULE @ LINE 1					
ID:	QTY:	LENGTH	THICKNESS	JOINT TYP:	TABS:
1	46	21'-6"	2"	BUTT	SIDES, TOP
2	72	19'-6"	2"	"	SIDES, TOP, BOTTOM
3	72	11'-5"	2"	"	SIDES, BOTTOM
4	26	4'-6"	2"	"	SIDES, BOTTOM



SIDEWALL ELEVATION AT LINE 1

ISSUE:	DWN:	CHK:	ENG:	MFG:	DATE:

PROJECT NAME:  
**ELECTROIMPACT R1**

CUSTOMER:  
**T&E INTERNATIONAL**

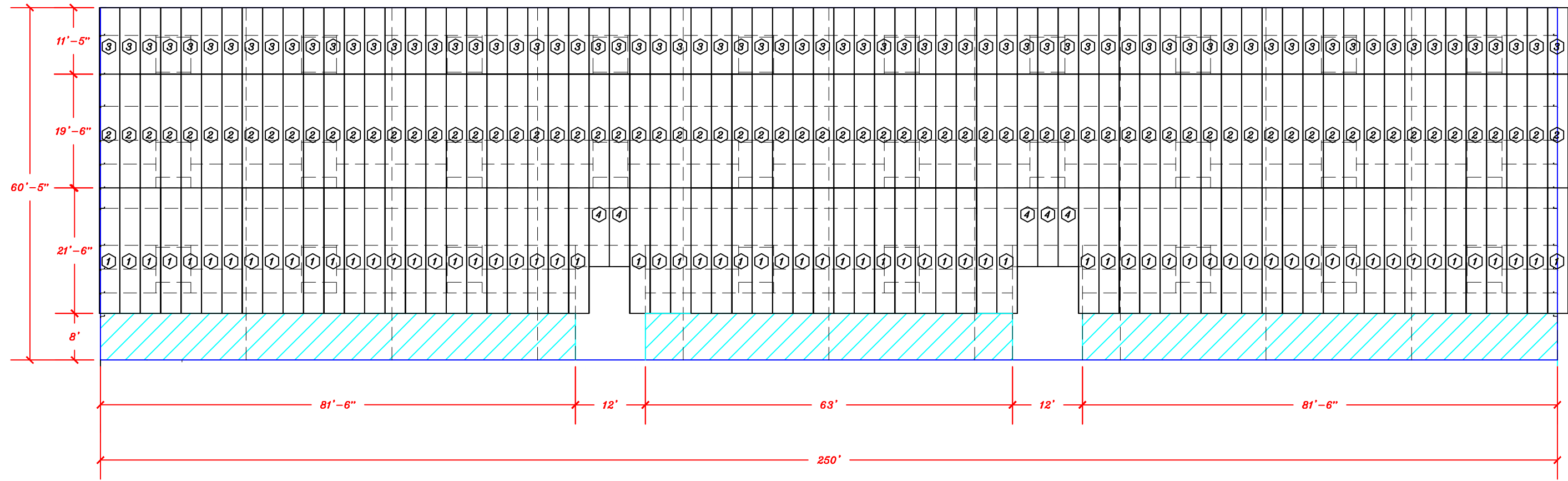


**PACIFIC INSULATION PRODUCTS**

561 STRANDER BLVD  
 TUKWILA, WA 98188

PHONE: 877-300-3794  
 FAX: 425-905-7272

SIDEWALL PANEL SCHEDULE @ LINE 7					
ID:	QTY:	LENGTH	THICKNESS	JOINT TYP:	TABS:
1	67	21'-6"	2"	BUTT	SIDES, TOP
2	72	19'-6"	2"	"	SIDES, TOP, BOTTOM
3	72	11'-5"	2"	"	SIDES, BOTTOM
4	5	13'-6"	2"	"	SIDES, TOP



SIDEWALL ELEVATION AT LINE 7

ISSUE:	DWN:	CHK:	ENG:	MFG:	DATE:

PROJECT NAME:  
ELECTROIMPACT R1

CUSTOMER:  
T&E INTERNATIONAL

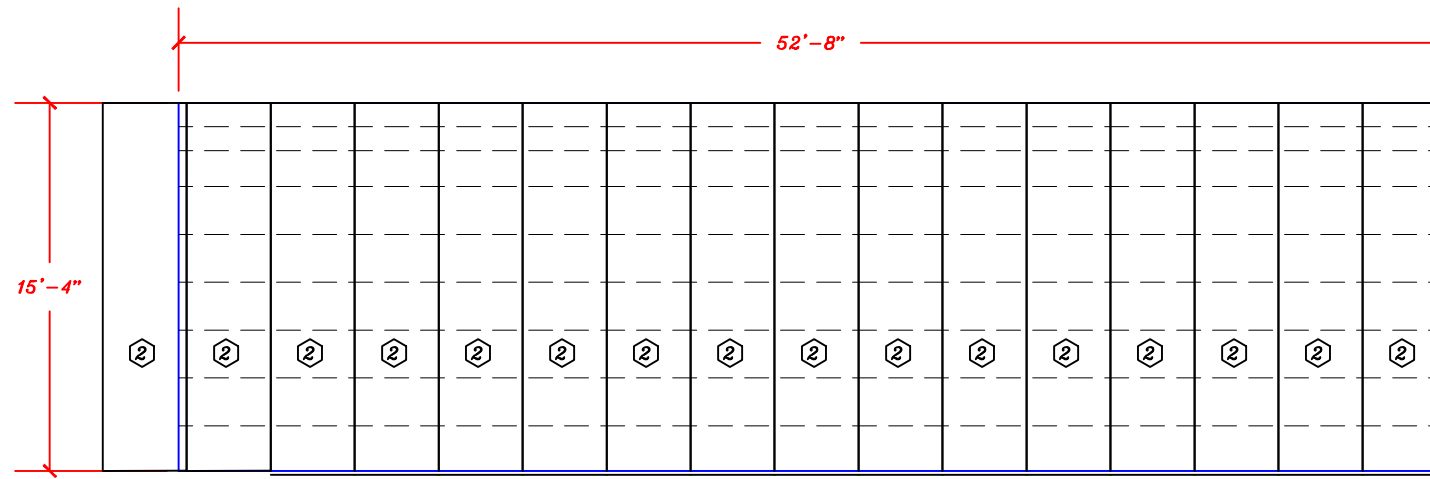


PACIFIC INSULATION PRODUCTS

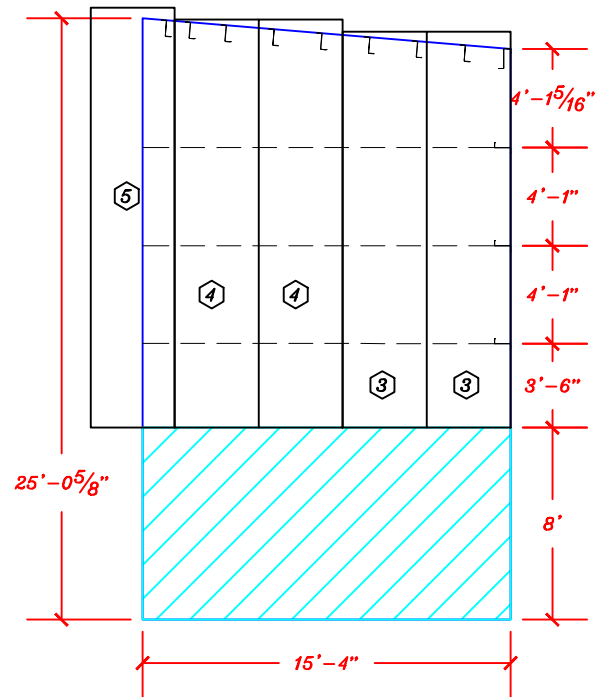
561 STRANDER BLVD  
TUKWILA, WA 98188

PHONE: 877-300-3794  
FAX: 425-905-7272

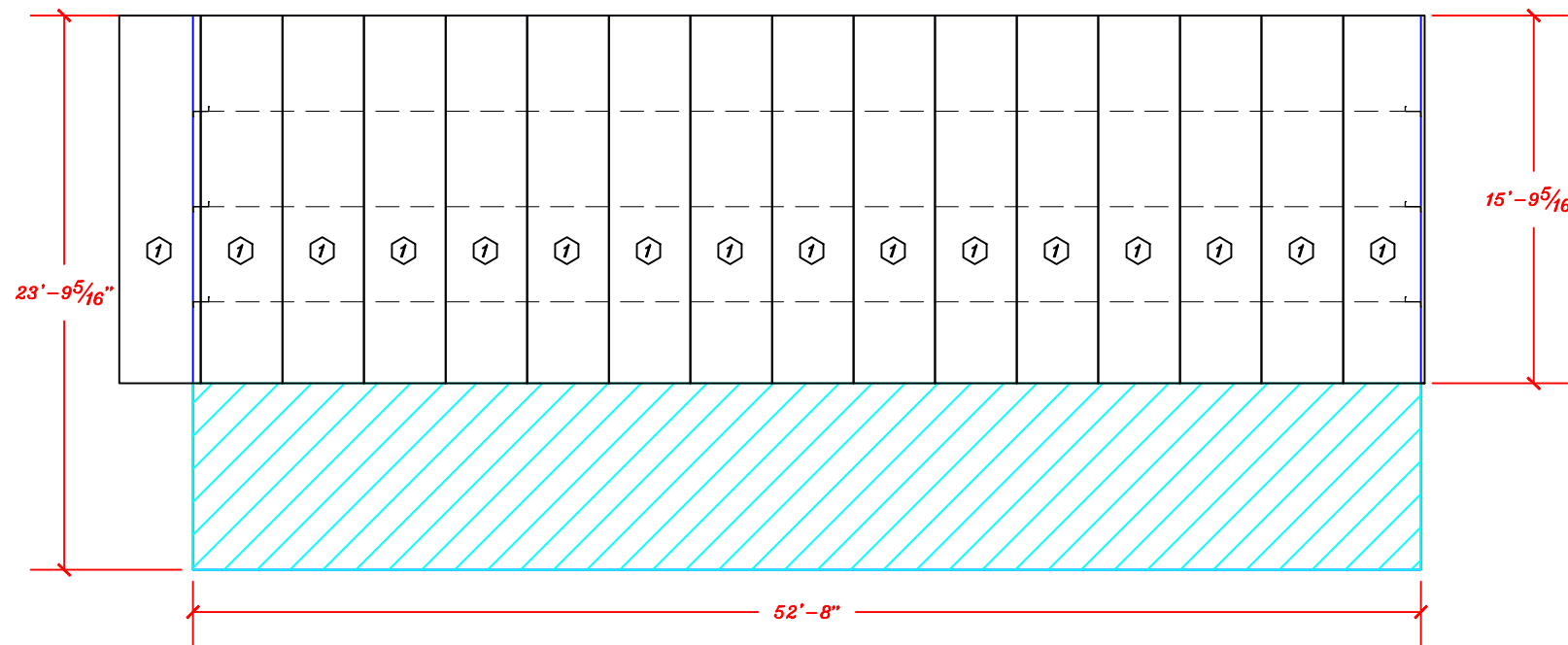
OFFICE PANEL SCHEDULE					
ID:	QTY:	LENGTH	THICKNESS	JOINT TYP:	TABS:
1	16	15'-9 1/4"	2"	BUTT	SIDES
2	16	15'-4 5/8"	2"	"	SIDES, ??
3	4	16'-6"	2"	"	SIDES, BOTTOM
4	4	17'-0"	2"	"	SIDES
5	2	17'-6"	2"	"	SIDES



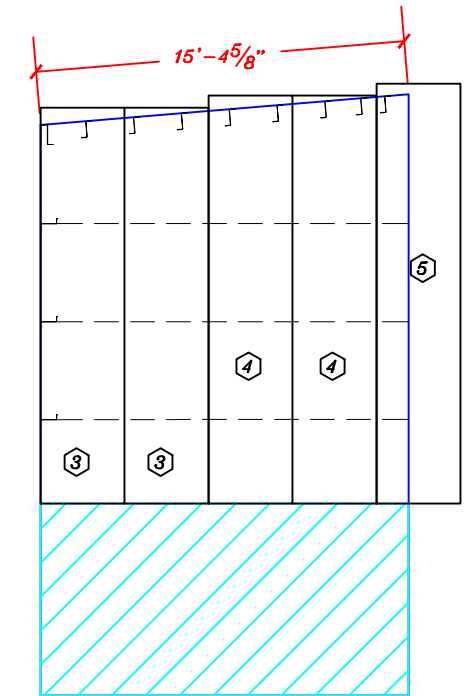
OFFICE ROOF



OFFICE SIDEWALL AT LINE E



OFFICE SIDEWALL ELEVATION AT LINE 1



OFFICE SIDEWALL AT LINE G

ISSUE:	DWN:	CHK:	ENG:	MFG:	DATE:

PROJECT NAME:

ELECTROIMPACT R1

CUSTOMER:

T&E INTERNATIONAL



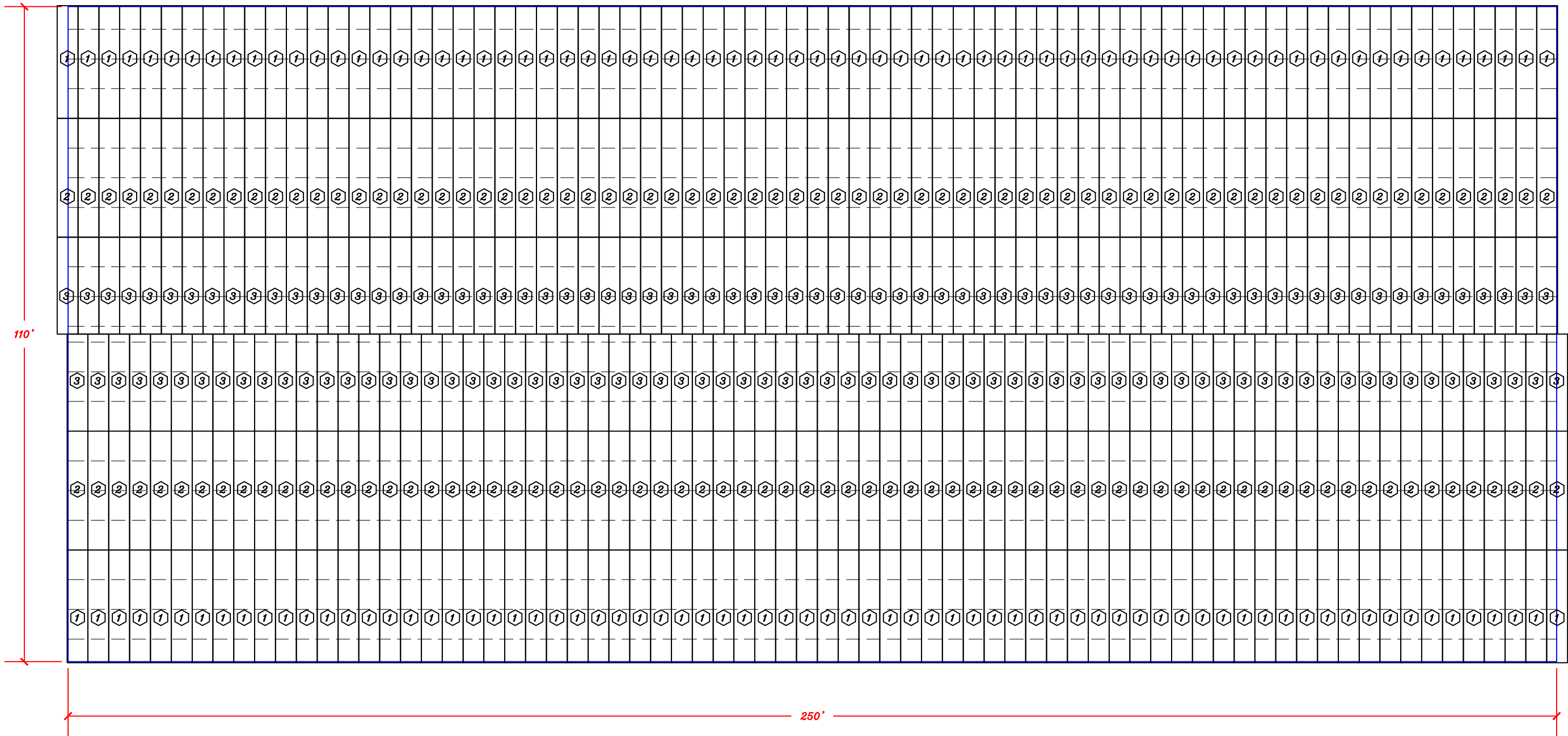
PACIFIC INSULATION PRODUCTS

561 STRANDER BLVD  
TUKWILA, WA 98188

PHONE: 877-300-3794  
FAX: 425-905-7272



ROOF PANEL SCHEDULE					
ID:	QTY:	LENGTH	THICKNESS	JOINT TYP:	TABS:
1	144	18'-11 3/4"	3"	SHIP-LAP	?
2	144	20'-0"	3"	"	SIDES, TOP, BOTTOM
3	144	16'-4"	3"	"	SIDES, BOTTOM



## ROOF PANEL PLAN

ISSUE:	DWN:	CHK:	ENG:	MFG:	DATE:

PROJECT NAME:

*ELECTROIMPACT R1*

CUSTOMER:

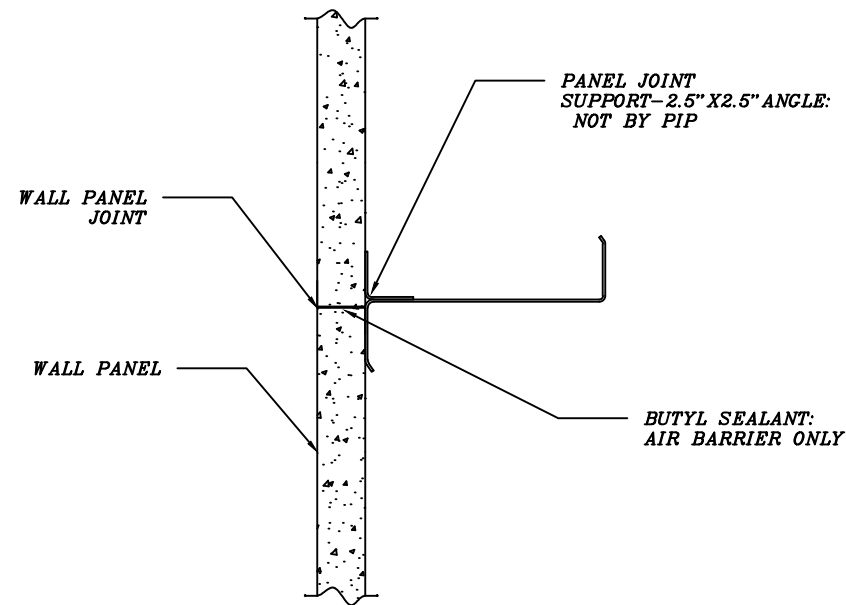
*T&E INTERNATIONAL*



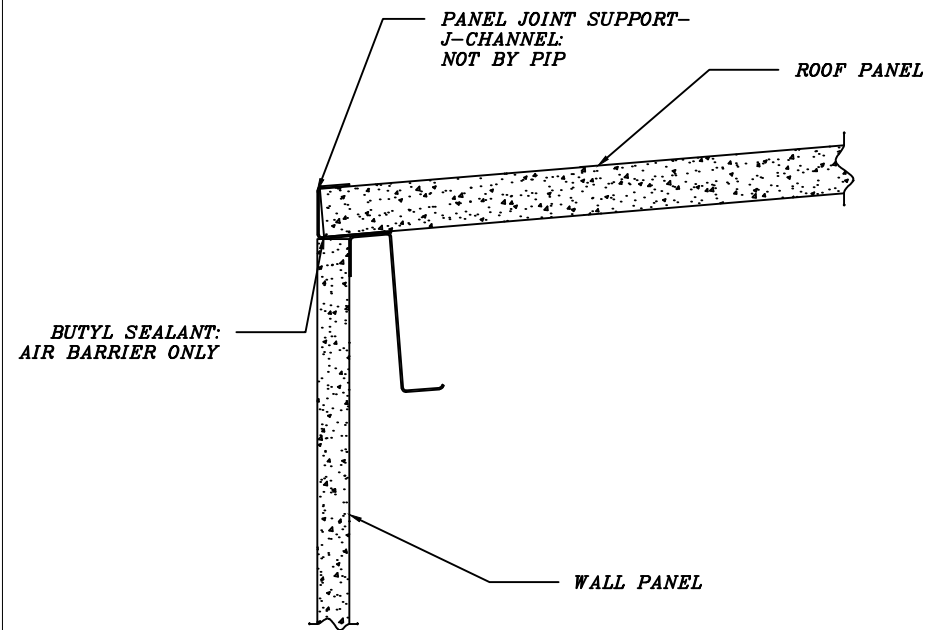
*PACIFIC INSULATION PRODUCTS*

*561 STRANDER BLVD  
TUKWILA, WA 98188*

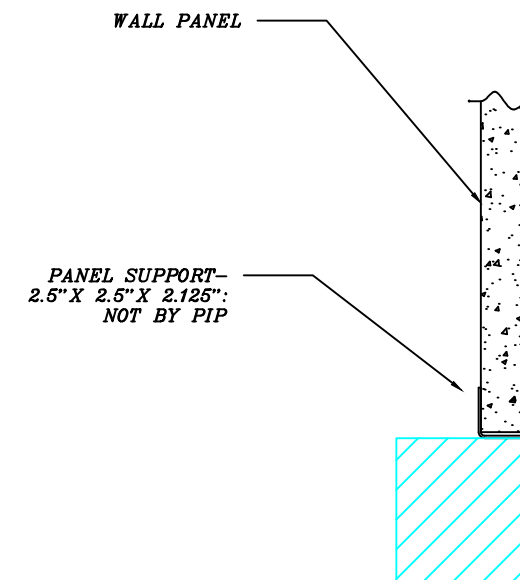
*PHONE: 877-300-3794  
FAX: 425-905-7272*



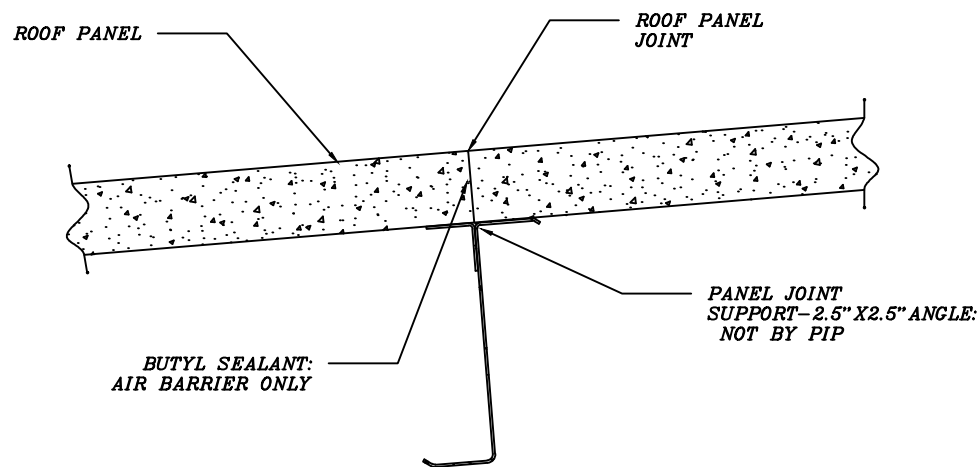
PANEL END LAP: WALL



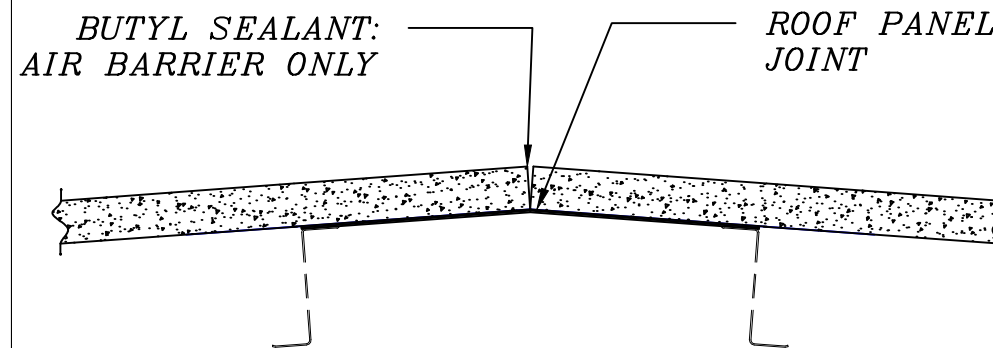
ROOF TO WALL TRANSITION



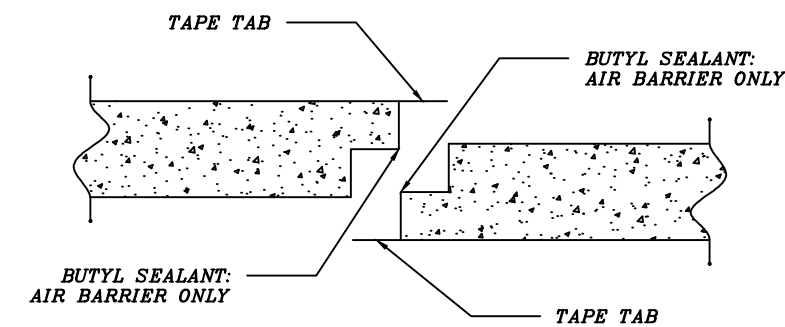
BASE CHANNEL



PANEL END LAP: ROOF



RIDGE DETAIL



PANEL SIDE LAP

ISSUE:	DWN:	CHK:	ENG:	MFG:	DATE:

PROJECT NAME:

ELECTROIMPACT R1

CUSTOMER:

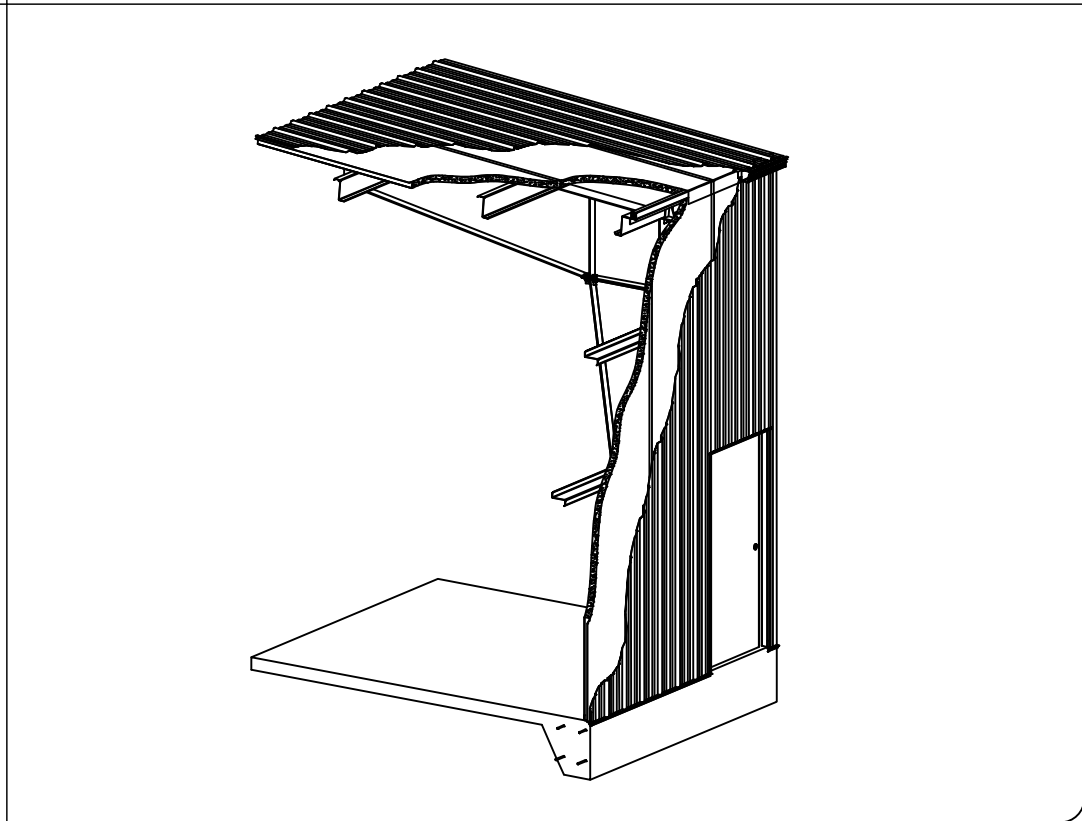
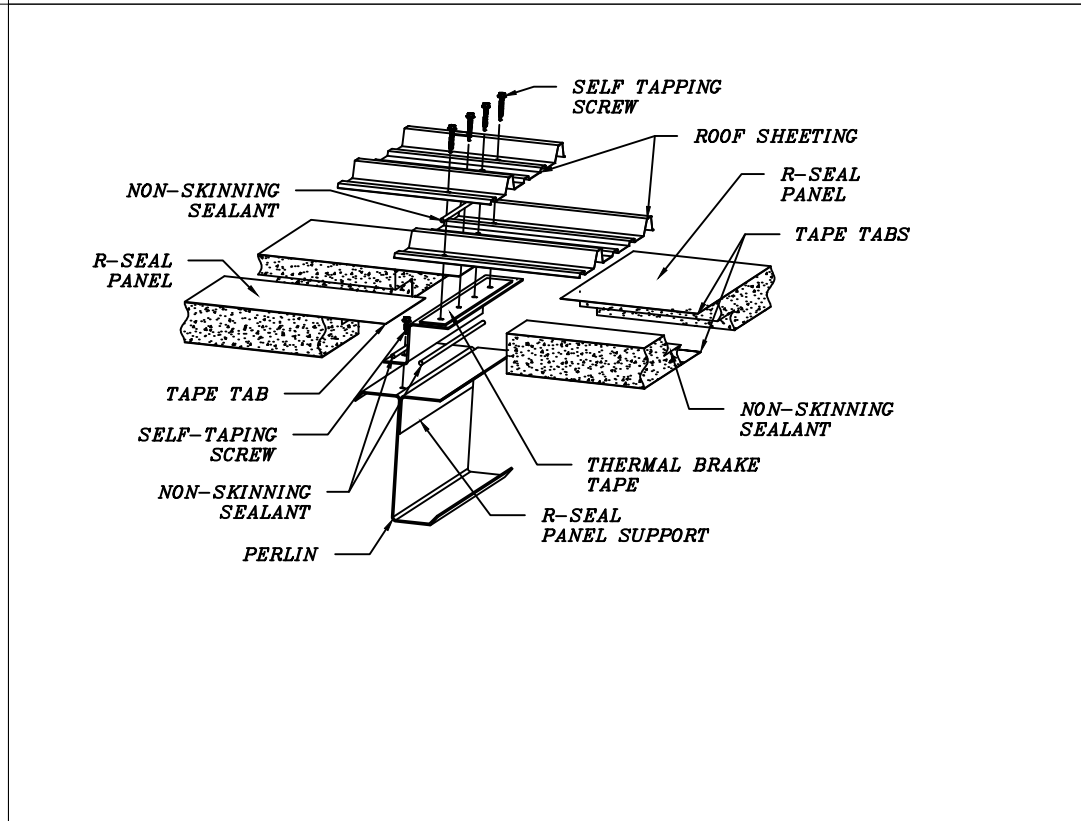
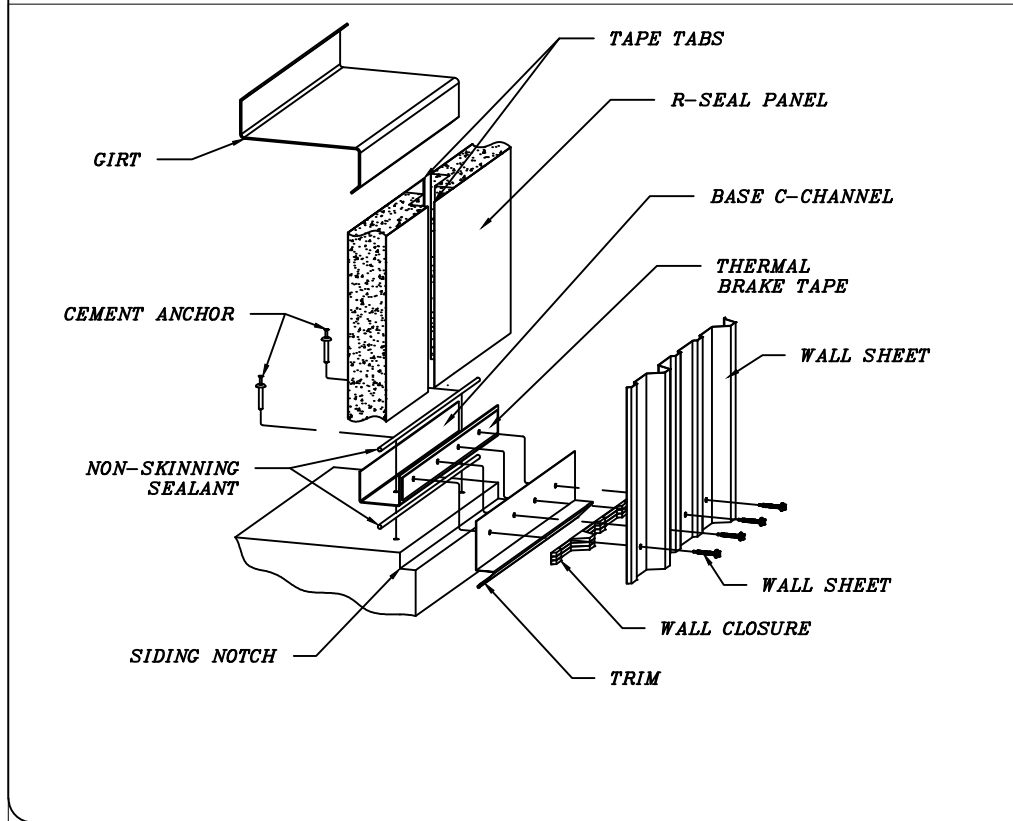
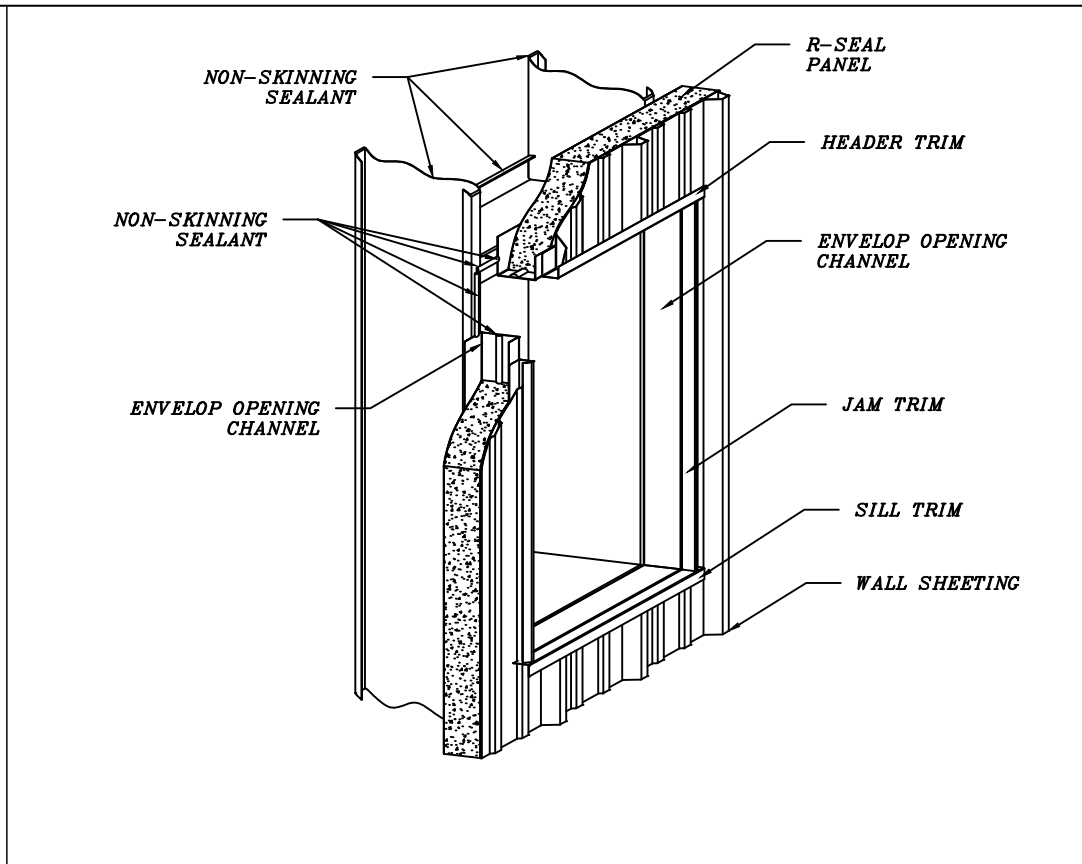
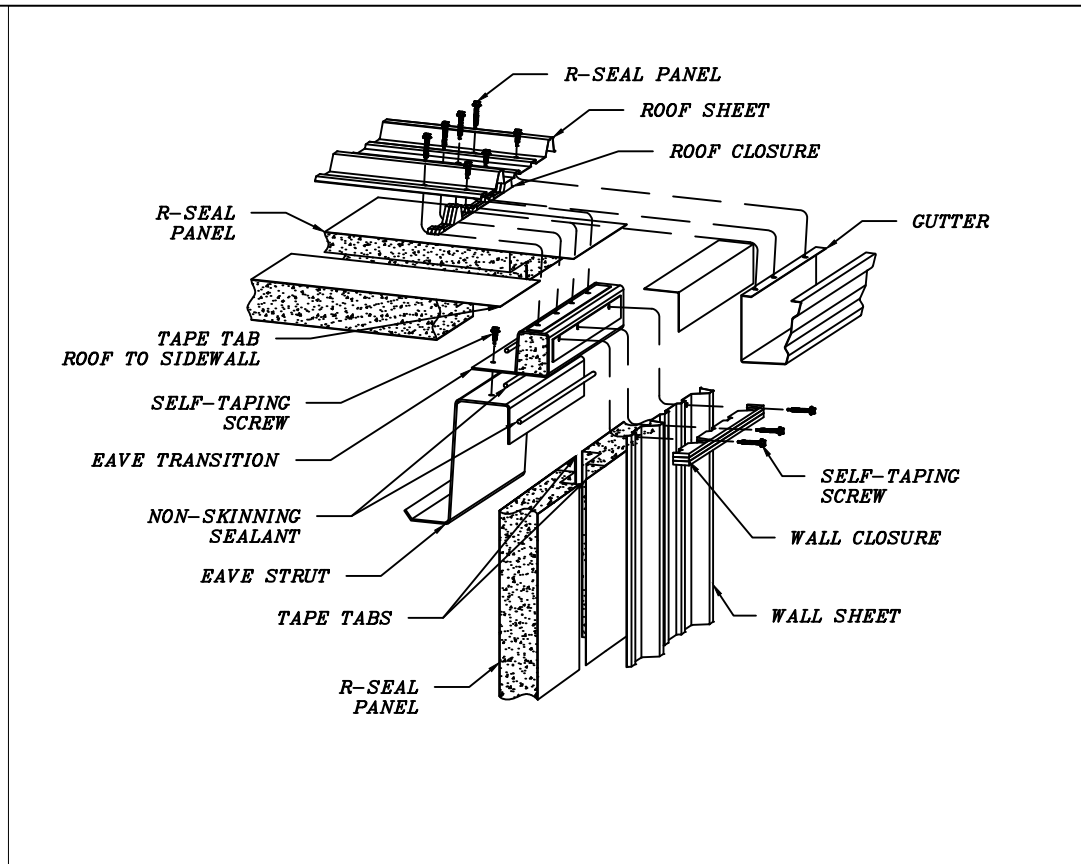
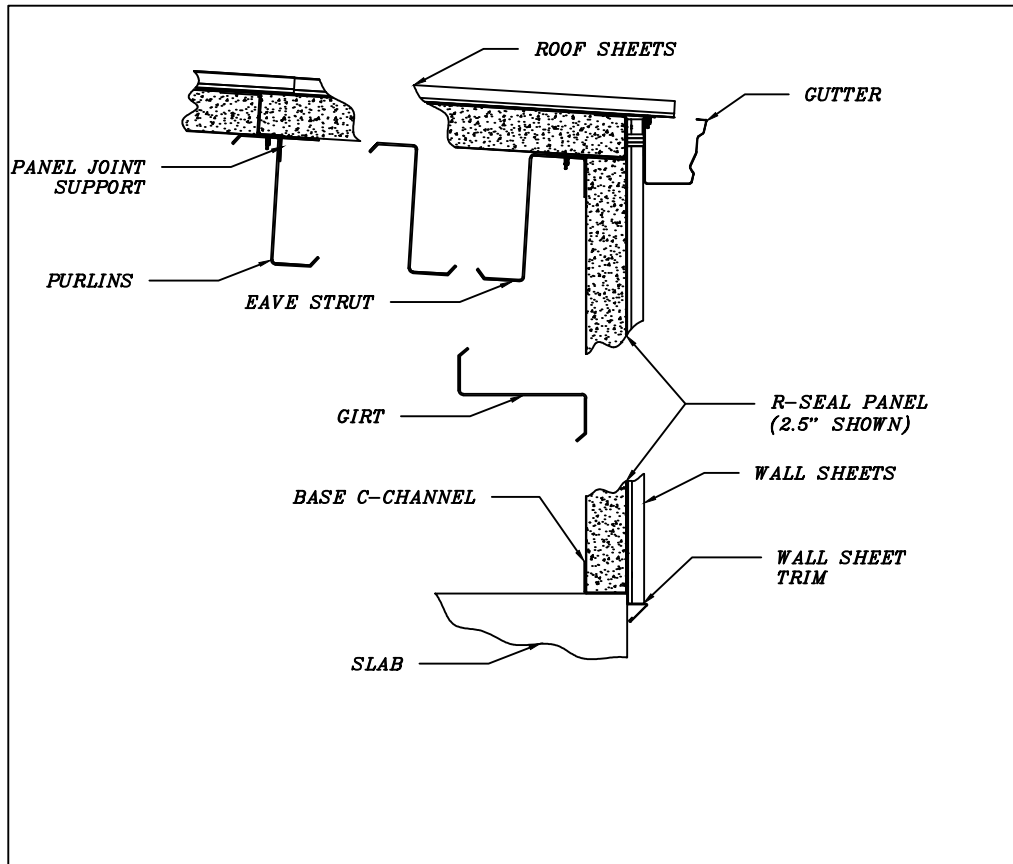
T&E INTERNATIONAL



PACIFIC INSULATION PRODUCTS

561 STRANDER BLVD  
TUKWILA, WA 98188

PHONE: 877-300-3794  
FAX: 425-905-7272



ISSUE:	DWN:	CHK:	ENG:	MFG:	DATE:

PROJECT NAME:  
**ELECTROIMPACT R1**

CUSTOMER:  
**T&E INTERNATIONAL**

**PACIFIC INSULATION PRODUCTS**

561 STRANDER BLVD  
 TUKWILA, WA 98188

PHONE: 877-300-3794  
 FAX: 425-905-7272

PAGE: 12 OF 12